



It's a Switch Mount! It's a Device Mount! It's Loc-Line!

(Hanser, 2005, updated 2007)

What is Loc-Line?

Loc-Line is inexpensive, flexible plastic tubing. It has a variety of uses for plumbing, industrial and household tasks. Loc-Line is easily re-positioned like gooseneck, however it allows for more precise positions.

It can be used to mount switches or lightweight AAC or ECU devices. Loc-Line is a good, durable alternative when flexible mounting is needed. It comes in a variety of colors and in three different widths: 1/4", 1/2", and 3/4."

The thicker the Loc-Line, the harder it is to move. The thicker Loc-Line is more appropriate for hard switch hitters or very light devices. Loc-Line can be purchased in packs with two 5 1/2" lengths for under \$10. For creating multiple mounts, there are 25' kits (~\$140), and 50' spools (~\$280). To make Loc-Line less flexible, thick wire can be inserted to inside.

Where Can You Buy Loc-Line?

Plan A: Buy It In Your Own Backyard!

If you live near a large city, you may be able to find it for sale in industrial tool stores/warehouses. The advantage is that you can see it and bend it to decide what diameter you need. Plus, you can see all of the other accessories and joints that are available.

Plan B: Buy It Online!

www.modularhose.com
Division of EDM Zap
1108 Front Street
Lisle IL 60532
1-800-759-2839

IMPORTANT "MUST BUY" TIP: No matter where you buy Loc-Line, you'll want to get the pliers to go with it. Loc-Line is manipulated by connecting the individual beads. The beads can be pulled apart & snapped back together, but it requires quite a bit of hand strength. Save your hands & get the special pliers used to take apart beads and to add beads. There are different pliers for the different diameters of Loc-Line. Make sure you get the right pair!



Accessories for Customizing Mounts

Different accessories can be helpful in creating custom mounts where specific angles and less flexibility are needed.



**Loc-Line can also be interfaced with PVC pipe! This is especially helpful if you have a PVC pipe mount that requires just a little flexibility (i.e. head switches). Check the Loc-Line accessories for joints that screw into PVC pipe joints.

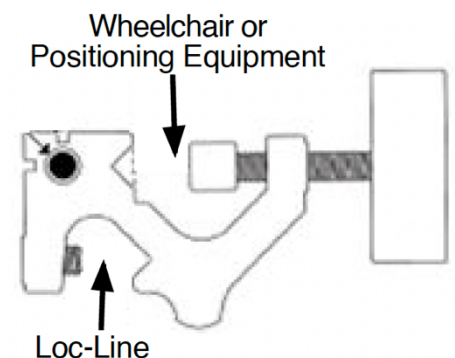
Ideas for Attaching Loc-Line Mounts to a Wheelchair or Positioning Device

Hose Clamps: Used with 3/4", 1/2" and 1/4" Loc-Line

- 3-4 small hose clamps can be used to tighten the Loc-Line down to the tubing on the wheelchair frame. Hose clamps are available at local hardware stores. Before attaching clamps, check with parent as the clamp will scratch the paint on the wheelchair. To help protect the paint, can try wrapping the area with duct tape first. Depending where you attach the Loc-Line to the chair, the Loc-Line may not be secure and may rotate within clamp. Here are 2 possible solutions:
 - Wrap the Loc-Line with something that the clamp can dig into such as dycem, drawer liner or adhesive back loop Velcro.
 - Use a Loc-Line elbow joint or T joint to setup 2 perpendicular arms. One would have the actual mount and the other arm would have ~4-5." These can be clamped down to the wheelchair where there is perpendicular joint on the frame. This will keep the actual Loc-Line switch mount from rotating.

Wheelchair/Positioning Equipment Frame Clamps: Used with 1/2" and 1/4" Loc-Line

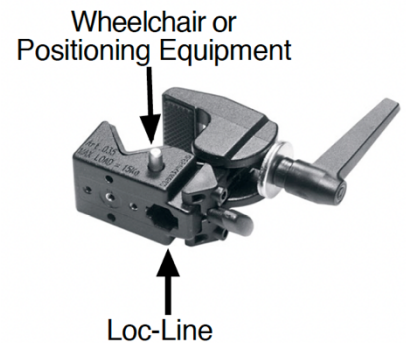
- A wheelchair or positioning equipment mount can be used to mount the Loc-Line. (Many common gooseneck switch mounts use this particular mount clamp.)
- If you have one around and want to see how it works with the Loc-Line, you can remove the gooseneck using an allen wrench. The gooseneck can be removed and Loc-Line can be used in its place.
- This wheelchair clamp works best with 1/2" Loc-Line. It can also be used with 1/4" Loc-Line with some material added around the Loc-Line to make a tighter fit in the clamp. The 1" Loc-Line is too wide and will not fit in this type of clamp.



Part #2026, ~\$28.95
 Enabling Devices
 385 Warburton Avenue
 Hastings-on-Hudson, NY 10706
 (800) 832-8697
 www.enablingdevices.com
 Wheelchair or Positioning Equipment

Bogen Super Clamp without Stud #2915: Used with 1/4" Loc-Line

- A camera clamp can be used to mount the Loc-Line. Many common switch mounts use this particular mount clamp. If you have one around and want to "try before you buy," you can remove the mount arm and Loc-Line can be used in its place.
- This clamp can only be used with 1/4" Loc-Line. If you have a broken mount, this is a great use for the clamp.
- Google this item and you will find a variety of camera vendors that sell this for \$20-30.
- Here are some of the common vendors:
www.adorama.com
www.bhphotovideo.com
www.amazon.com



Attaching Switches or Light AAC/ECU Items to Loc-Line

If you are using really small switches, check out the Loc-Line end caps. If they are wide enough, you can Velcro your switch on it.

Easy Plan A: Use Jar or Container Lids (from Linda Burkhart!)

Jar lids can be used to create a surface for your switch or other light item. Put the lid on a flat surface. Center the end of the Loc-Line inside the jar lid. Fill it up with loads of hot glue!!!! Add Velcro to the surface of the lid and you are ready to go!

More Involved Plan B: Use Mounting Plates (only works with 1/2" Loc-Line)

Mounting plates from commercially available mounts can be attached to the Loc-Line. There is a screw on the back of the mounting plate. Place one bead of the Loc-Line onto this screw. Attach the bead to the plate with a washer and a self-locking nut. (The washer is used to keep the nut from going inside the Loc-Line.) Mounting plates are inexpensive and can be purchased individually from most vendors.

